

auto electrical parts

Technical Information Sheet

Part No. 0-300-25

Rear lamp, stop/tail/direction indicator/reflex reflector.
12/24 volt LED. l 195 x w 30 x h 94mm. ECE approved. E
Marked

Additional information

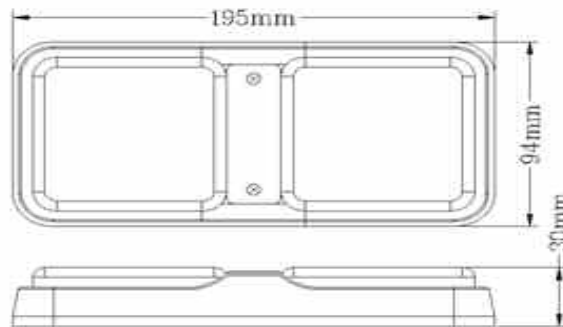
Supplied with flying lead 280mm, exit centre rear.

Wiring:

White: -ve
Brown: Tail
Red: Stop
Yellow: Indicator



Technical Drawing (not to scale)



Specification

Type	LED rear lamp stop/tail/direction indicator/reflex reflector.
Voltage	10-30 volt dc
LEDs	Tail/Stop 36 red, indicator 36 amber
Lens	Polycarbonate
Base	ABS
Dimensions	l 195 x w 30 x h 94mm
IP Rating	IP67
Compliance	ECE, E Marked

The information contained in this document is correct to the best of our knowledge at the time of printing. However, specifications may change at any time without notice.